

LED-SIGNALS

	The ORANGE LED flashes every second.	The sensor goes into security mode.	1 Cut and restore power supply.
	The ORANGE LED flashes 1 x.	The sensor signals an internal fault.	1 Cut and restore power supply. 2 If orange LED flashes again, replace sensor.
	The ORANGE LED flashes 2 x.	Irregularities in the power supply	1 Check power supply. 2 Check wiring.
	The ORANGE LED flashes 4 x.	The sensor receives not enough IR-energy.	1 Check the angle of the IR-curtains. 2 Adapt background if necessary (floor is too absorbing). 3 Launch a new assisted setup.
	The ORANGE LED flashes 5 x.	The sensor receives too much IR-energy.	1 Check the angle of the IR-curtains. 2 Adapt background if necessary (floor is too reflective).
	The ORANGE LED is on.	The sensor encounters a memory problem.	1 Cut and restore power supply. 2 If orange LED lights up again, replace sensor.
	The RED LED flashes quickly after an assisted setup.	The sensor sees the door during the assisted setup.	1 Check the angle of the IR-curtains. 2 Launch a new assisted setup. Attention: Do not stand in the detection field!
	The RED LED lights up sporadically.	The sensor vibrates.	1 Check if the sensor is fastened firmly. 2 Check position of prism and cover.
		The sensor sees the door.	1 Launch an assisted setup and adjust the IR angle.
		The sensor is disturbed by the rain.	1 Increase the IR-immunity filter by remote control.*
	The LED is off.		1 Check connections to test output. 2 If your door controller is not able to test the sensor, connect the red and blue cable to power supply.*
	The reaction of the door does not correspond to the LED-signal.		1 Check output configuration setting. 2 Switch value 1 (P) to 2 (A) or 2 to 1 by remote control.

*excludes DIN18650-conformity of the door equipment



SAFETY INSTRUCTIONS

The manufacturer of the door system is responsible for carrying out a risk assessment and installing the sensor and the door system in compliance with applicable national and international regulations and standards on door safety and if applicable, the machinery directive 2006/42/EC.
Only trained and qualified personnel may install and set-up the sensor.
The warranty is void if unauthorized repairs are made or attempted by unauthorized personnel.
Avoid touching any electronic and optical components.

Id. No. 127109 Modification level 05 Drawing No. 70706-9-9502 Printed in Germany Subject to change without notice



GEZE hereby declares that the GC 333 C is in conformity with the basic requirements and the other relevant provisions of the standards 2004/108/EC and 2006/42/EC.

Notified Body for EC inspection: 0044 - TÜV NORD CERT GmbH, Langemarckstr. 20, D-45141 Essen

Leonberg, November 2010 Hermann Alber, Authorized representative

Only for EC countries: According the European Guideline 2002/96/EC for Waste Electrical and Electronic Equipment (WEEE)

GEZE GmbH / Reinhold-Vöster-Straße 21-29 / 71229 Leonberg / Germany / Tel. ++49(0)7152-203-0 / Fax ++49(0)7152-203-310

Please keep for further use
Designed for colour printing

GEZE

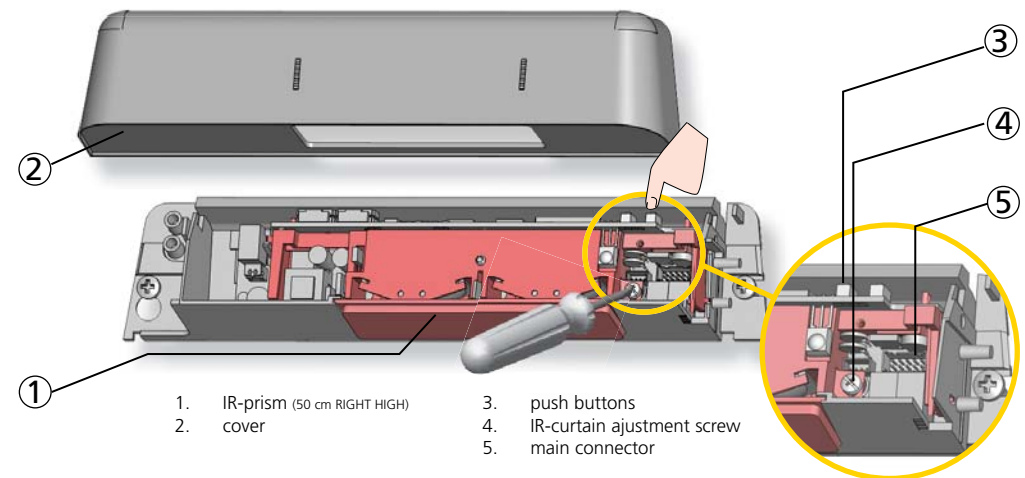


GC 333 C

Safety sensor
for automatic revolving doors

Other use of the device is outside the permitted purpose and can not be guaranteed by the manufacturer. The manufacturer cannot be held responsible for incorrect installations or inappropriate adjustments of the sensor.

DESCRIPTION



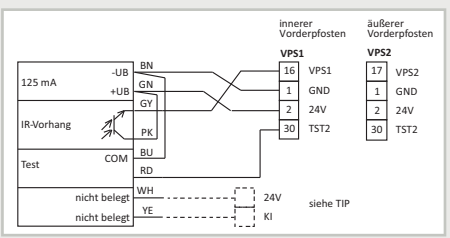
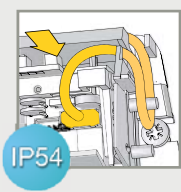
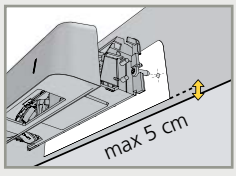
- 1 IR-prism (50 cm RIGHT HIGH)
- 2 cover
- 3 push buttons
- 4 IR-curtain adjustment screw
- 5 main connector

TECHNICAL SPECIFICATIONS

Supply voltage:	12 V - 24 V AC +/-10% ; 12 V - 30 V DC -5%/+10%
Power consumption:	< 3 W
Mounting height:	1.8 m to 2.7 m
Sensitivity of the test input:	< 1 V : Log. L; > 10 V: Log. H (max. 30 V)
Temperature range:	-25 °C to +55 °C
Degree of protection:	IP54
Norm conformity:	EMC 2004/108/EC; MD 2006/42/EC EN ISO 13849-1:2008 Performance Level «c» CAT. 2; EN 12978 (under the condition that the door control system monitors the sensor at least once per door cycle)
Detection mode:	Presence Typical response time: <128 ms (max. 500 ms)
Technology:	Active infrared (wave length: 880 nm) with background analysis Spot diameter: 0.1 m max. Number of spots: 6 by curtain Number of curtains: 1 or 2 (adjustable)
Angle:	From -4 ° to +4 ° (adjustable)
Output:	Solid-state-relay (free of potential, free of polarity) Max. contact current: 100 mA Max. contact voltage: 42 V AC/DC
Hold-open time:	0.3 s or 1 s (not adjustable)
Response time on test request:	Typical: < 15 ms (max. 25 ms)

Specifications are subject to changes without prior notice.
Measured in optimal conditions.

1 MOUNTING & WIRING



The door control unit and the door cover profile should be correctly earthed.

For compliance with DIN 18650 connection required to door controller test output.

2 INFRARED FIELD

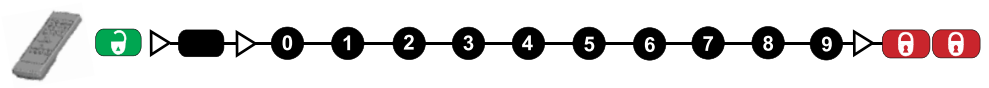


WIDTH

ANGLE

TIP: Launch an **ASSISTED SETUP** to verify wiring, position of the curtains and correct functioning of the sensor. It is recommended to clean the optical parts at least once a year or more often if required due to environmental conditions.

3 SETTINGS



TEST (MONITORING)	A	off	on	auto	auto = the sensor will automatically adapt to the door controller: on if testable, off if not testable		
OUTPUT CONFIGURATION	S		A-P	P-A	P-P	A-A	A = active output (NO-contact) P = passive output (NC-contact)
OUTPUT REDIRECTION	F1	safety	safety + opening		0 presence detection on safety input 1 presence detection on safety and opening input		

NUMBER OF CURTAINS	B	1	2					
IMMUNITY FILTER	I	normal	high	higher				
MAX. PRESENCE TIME	T	30 s	1 min	2 min	5 min	10 min	20 min	60 min

RESETTING TO FACTORY VALUES

FACTORY VALUES (yellow background) excludes DIN18650-conformity of the door equipment (grey background)

4 SETUP (by push button or remote control)

Please step out of the infrared field.

QUICK SETUP =

ASSISTED SETUP* = 1 DOOR CYCLE +

PUSH RIGHT UNTIL

* Yellow and white cable have to be connected.

IMPORTANT: Test the good functioning of the installation before leaving the premises.