

DE IS Auslösemechanik  
 EN IS-triggering  
 mechanism  
 FR IS-mécanisme de  
 déclenchement

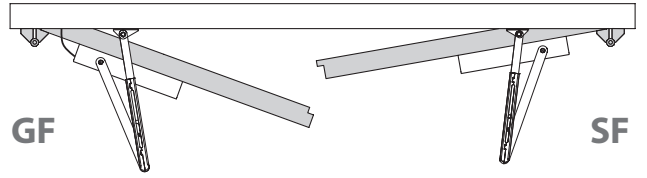


061947-08

**GEZE**



**i**



**TS 4000 IS**

**TS 4000/2000 V**



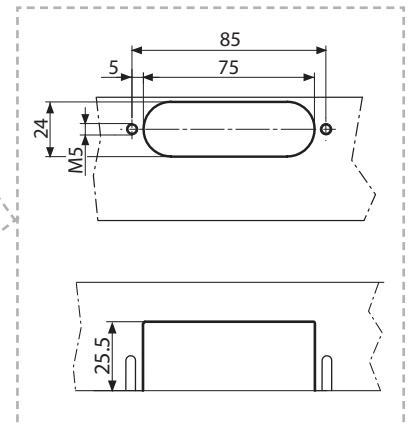
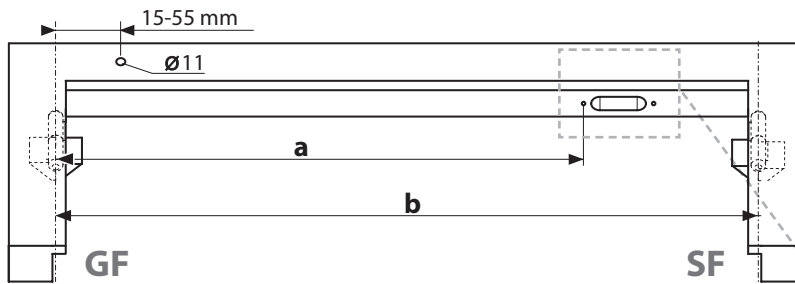
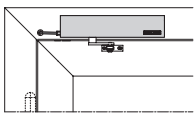
**TS 4000 IS**

**TS 4000/2000 V**

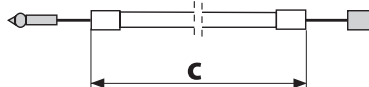
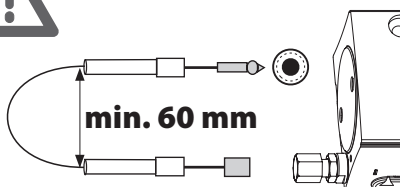
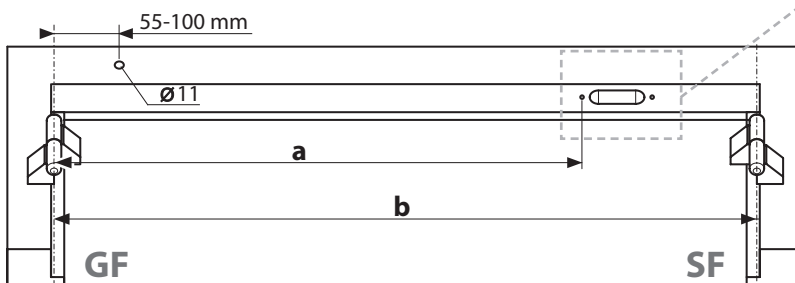
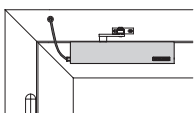
**1**



**KM**

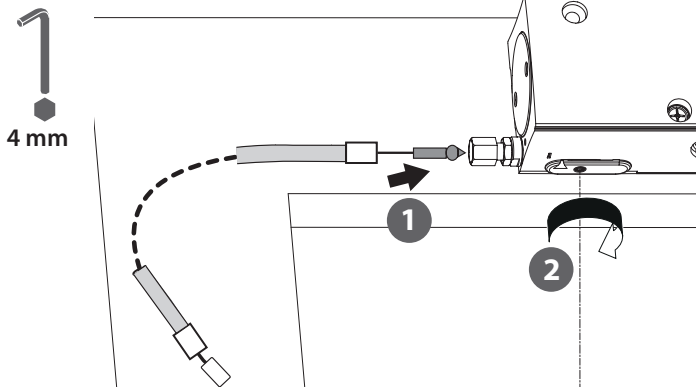


**SM**

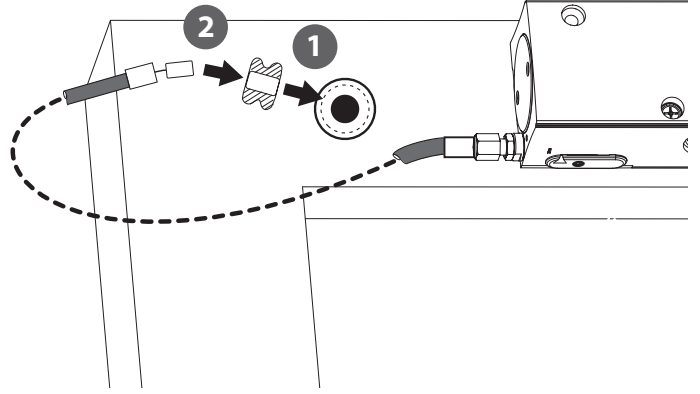


a [mm]	b [mm]	c KM [mm]	c SM [mm]
1050	1200-1500	No. 1 (1250)	No. 1 (1250)
1350	1500-1800	No. 2 (1550)	No. 2 (1550)
1650	1800-2100	No. 3 (1850)	No. 3 (1850)
1950	2100-2400	No. 4 (2150)	No. 4 (2150)
2250	2400-2700	No. 5 (2450)	No. 5 (2450)
2550	2700	No. 6 (2750)	No. 6 (2750)

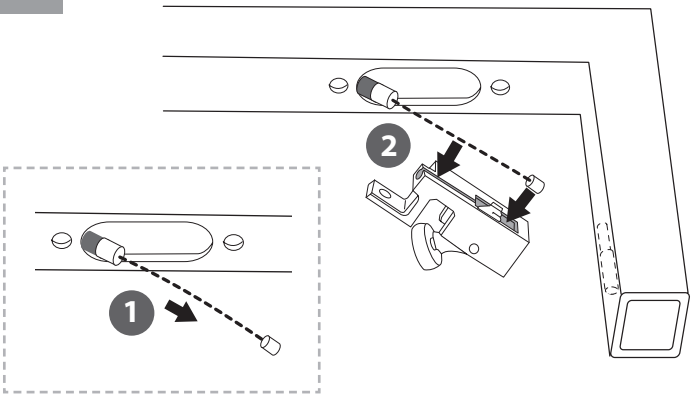
4



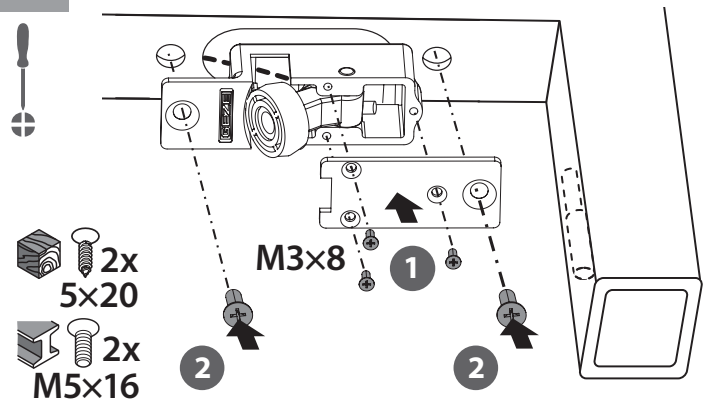
5



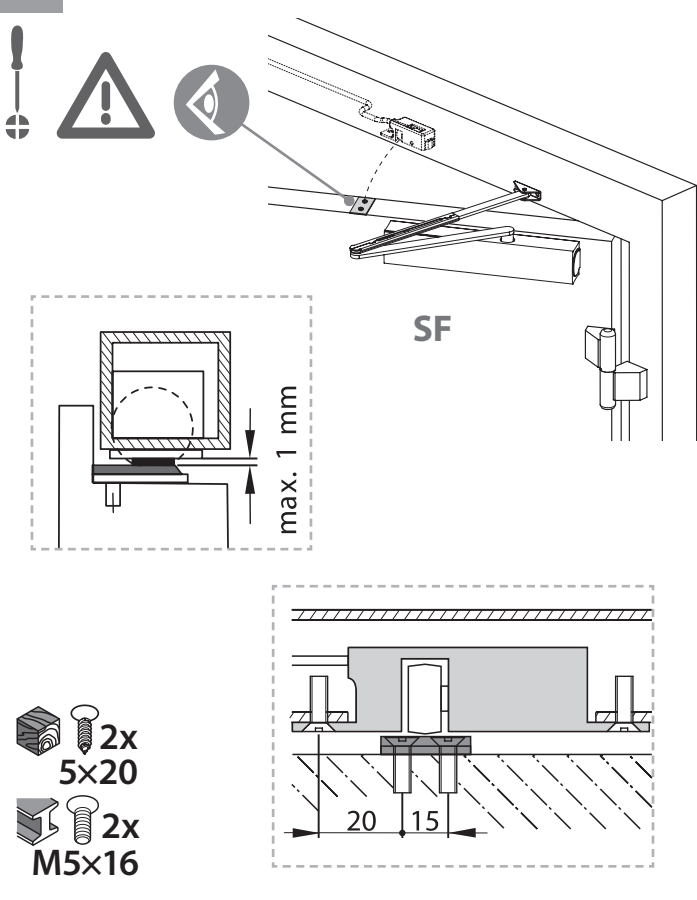
6



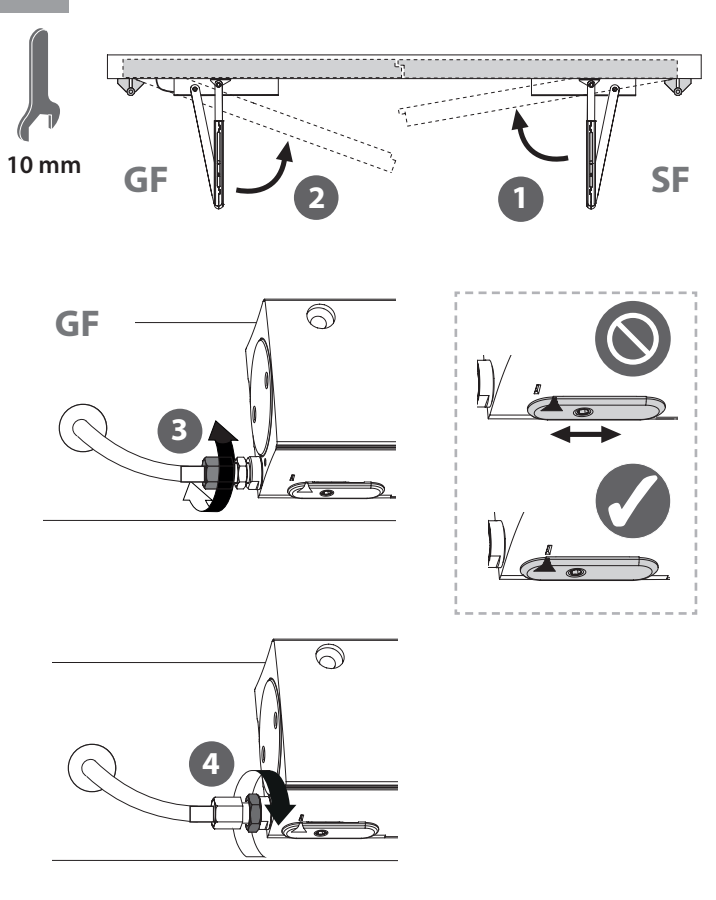
7



8



9



GEZE GmbH  
P.O.Box 1363  
71229 Leonberg  
Germany

Tel.: 0049 7152 203-0  
Fax: 0049 7152 203-310  
www.geze.com

061947-08



GEZE