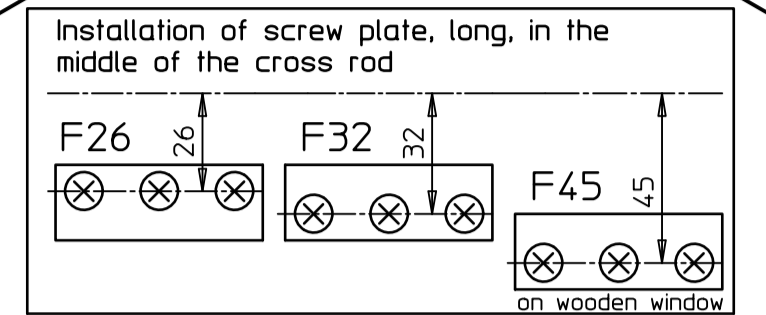
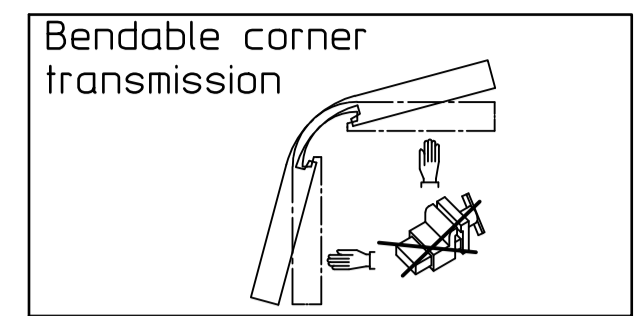


Ordering requirement for triangular window OL 90 N with ...	Fitting parts (see BOM)							
	A	B+B1	C	D	E	F/G	H	
Hand lever	Aluminium/PVC window	2X	2X	X				
	Wooden window	2X	2X	X				
Gear Fz 92	Aluminium/PVC window	2X	X	X	X			
	Wooden window	2X	X	X	X			
Electric drive E 212	Aluminium/PVC window	2X	X	X	X	X	X	
R/R1	Wooden window	2X	X	X	X	X	X	

Drawn in closed position  
Installation in open position!



3rd drill hole for screw-on plate  
always in direction of window tip!

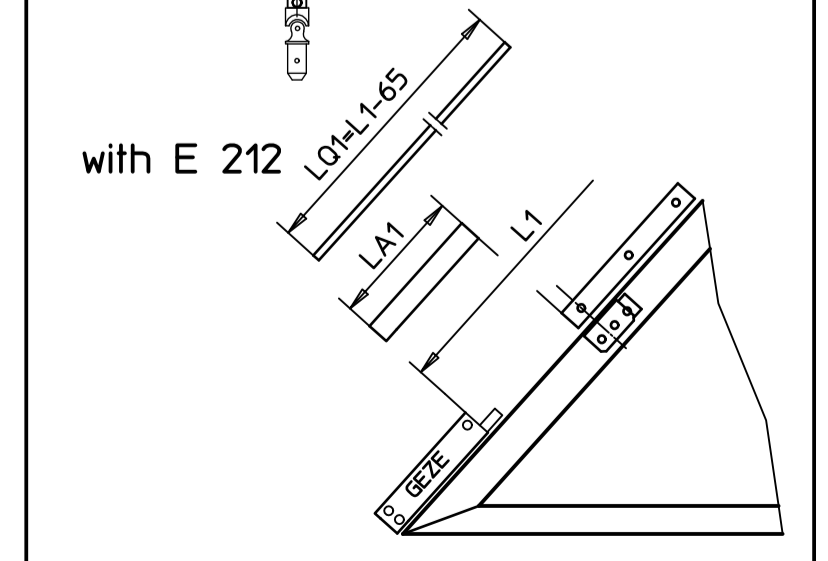
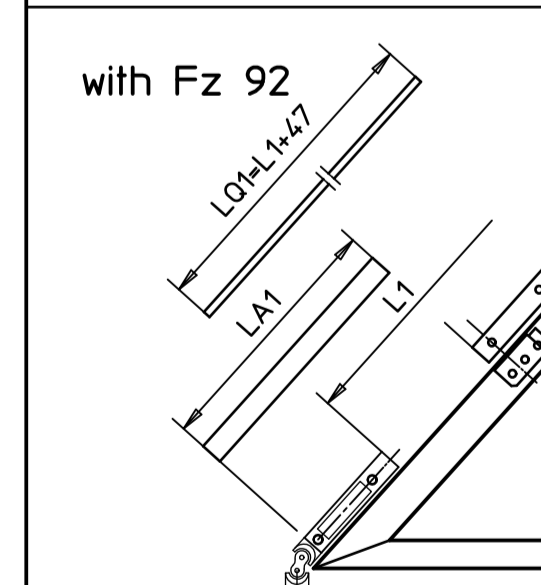
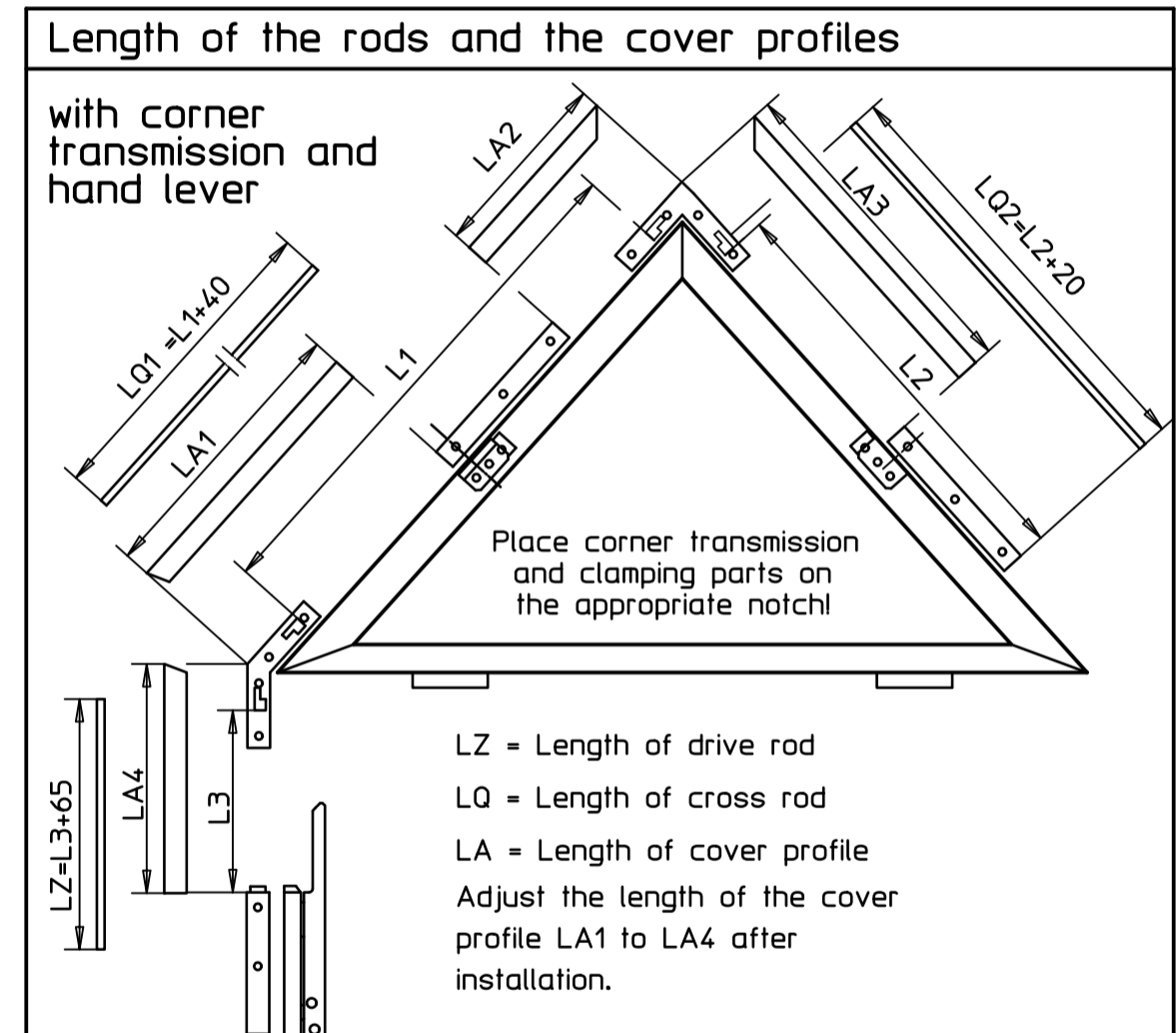
**Technical data**

- Average width approx. 170mm
- Filling stroke 54mm
- with stroke limitation for gear unit identification no. 12335 Opening width can be limited to 100-130, filling stroke 38-42mm

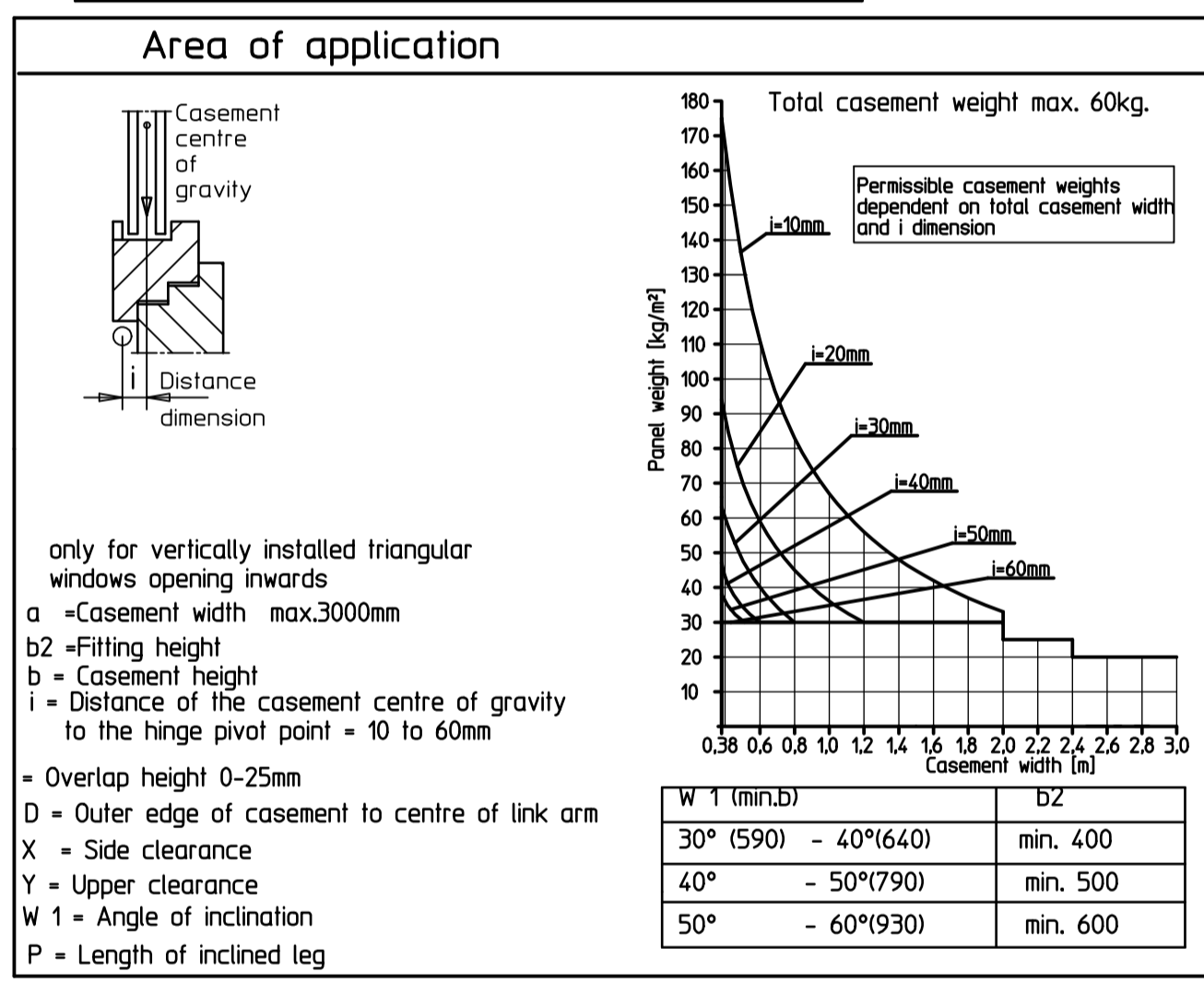
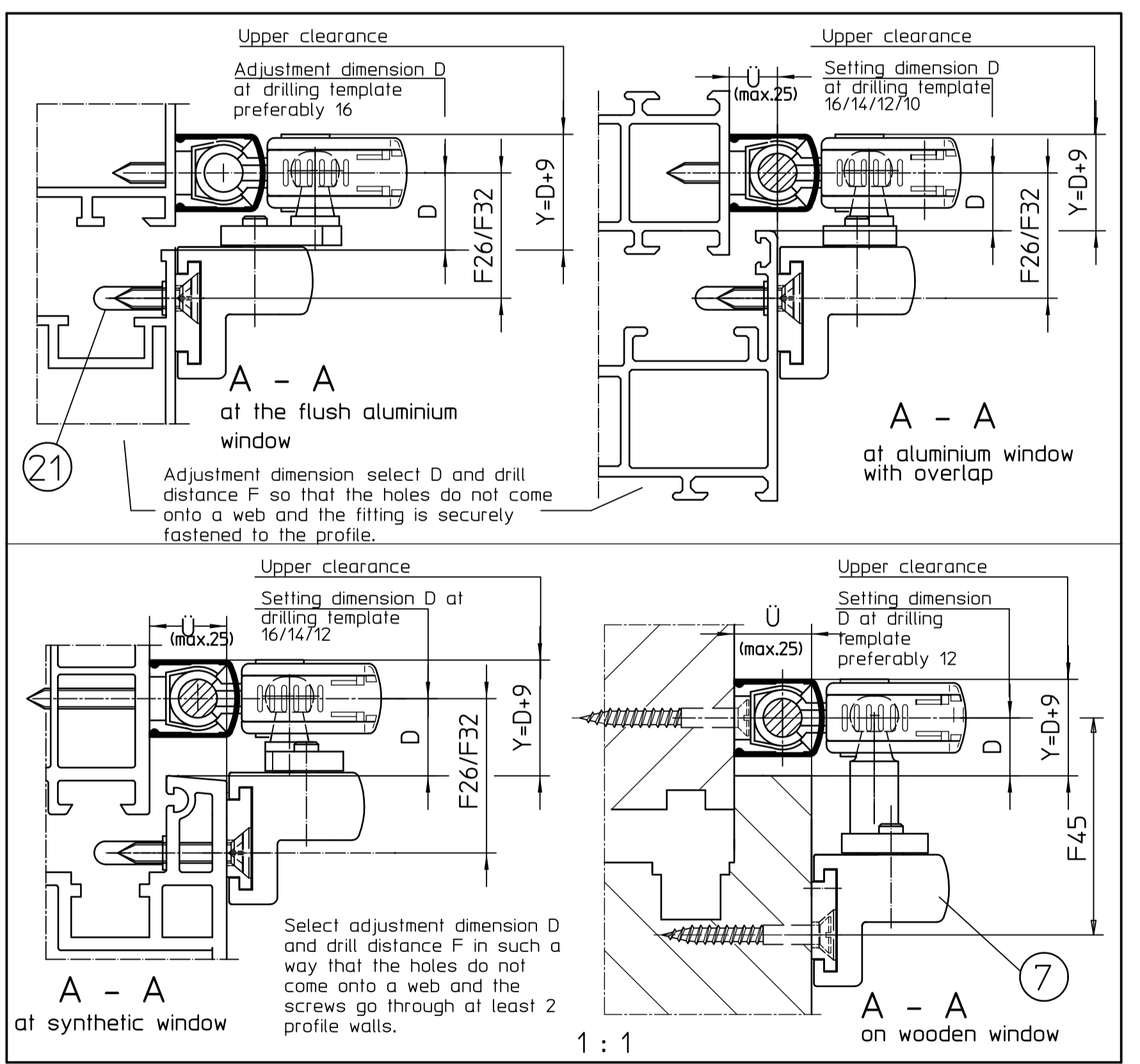
**Important note for window manufacturers**

It is absolutely necessary to check whether the window is stuck in the lower corner when opening. Observe the minimum angle specifications of the profile manufacturer.

**Installation instructions!**  
The mounting hole pattern of the gear must be drilled exactly. The deflection angle W 2 must not exceed 45°. We therefore recommend to use the drilling template for Fz92.



Papierausdrucke dieser Zeichnung unterliegen nicht dem Änderungsdienst!  
Printed drawings are not revision controlled!



**Important information:**

- Installation drawing, installation instructions, maintenance and operating instructions must be observed.
- The specified area of application must be observed.
- The prescribed fitting dimensions must be observed.
- The prescribed mounting elements must be used.
- In order to avoid injuries, protective caps must be turned on projecting threads of the fixing screws.
- Fittings are drawn in the closed position, but assembly is carried out in the open position.
- All fixing screws must be tightened in the open position with an Allen key SW3 with 5Nm.
- After assembly and before commissioning, the function of tightening all fixing screws must be checked.
- and all fixing screws must be tightened again.
- The joints and sliding points must be greased with an acid-free grease in accordance with DIN 51825.
- The free accessibility of the fitting parts for greasing and maintenance must be ensured in accordance with DIN 18357.
- If rods and cover profiles from other manufacturers are used, GEZE assumes no warranty and no liability for the resulting damage, and consequential damage.
- From a free rod length of 600mm, rod guides must be used.
- The use of a suitable safety catch is prescribed for bottom-hung windows (see GEZE gripping and cleaning scissors).
- The corner transmission may only be bent by hand, repeated bending back and forth is to be avoided.

**Mounting elements**

Window type	Fixing screws	DrillØ
Wood	Countersunk wood screws 4x35 DIN 97 or DIN 7997	2.5mm
Aluminium	Countersunk self-lapping screws 4.2xL DIN7972 or DIN7982 Screw must go through min.1.8mm profile wall	3.5mm
synthetic	Countersunk self-lapping screws 4.2xL DIN7972 or DIN7982 Screw must go through min.2 profile walls	3.5mm

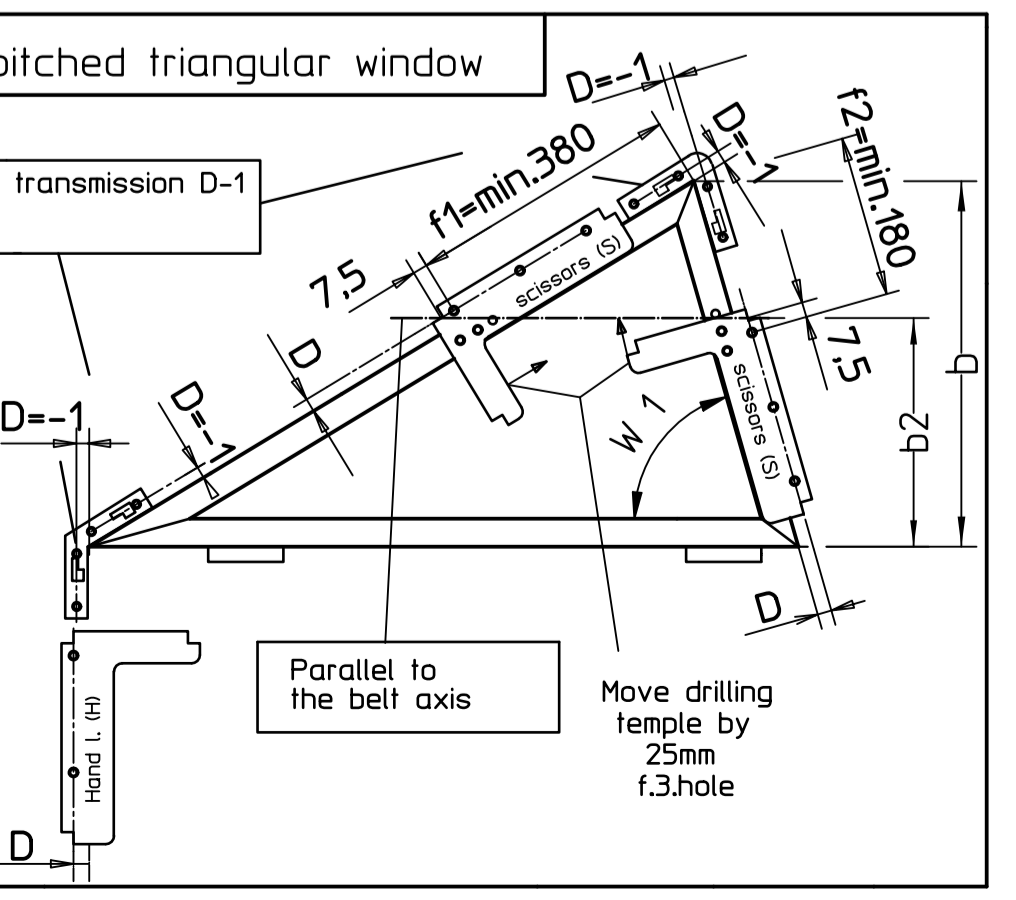
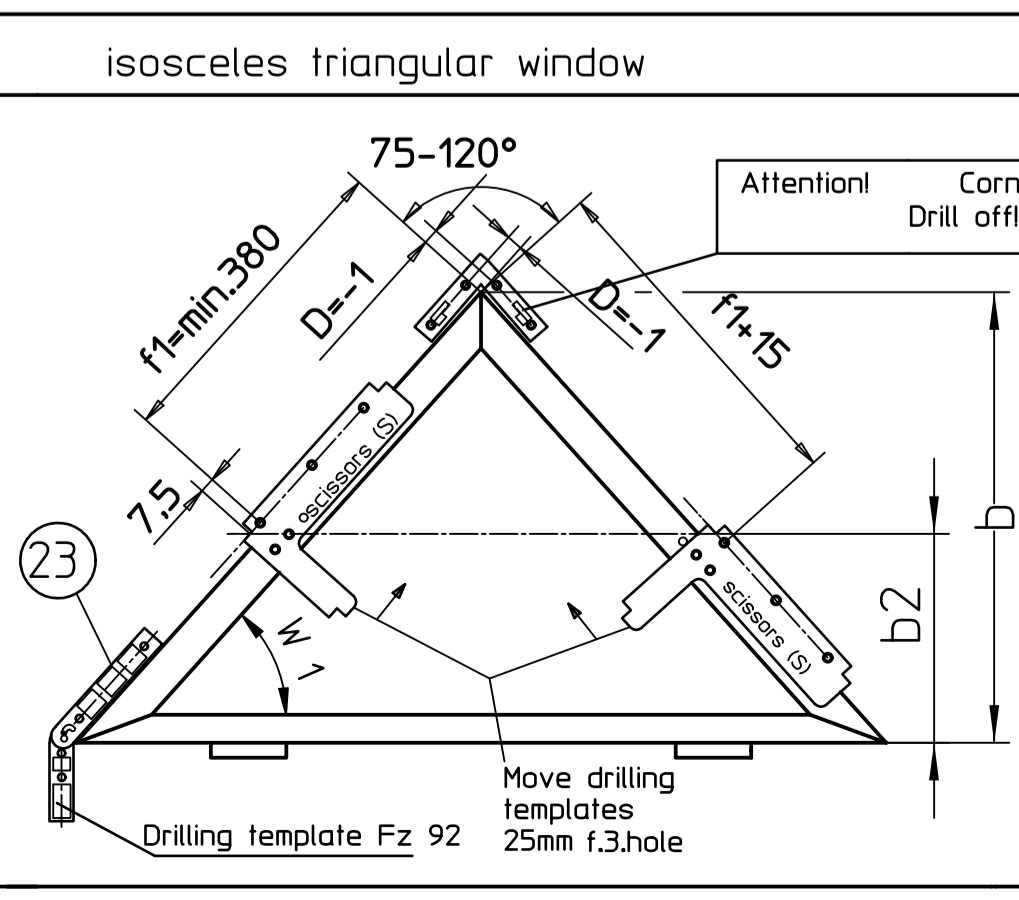
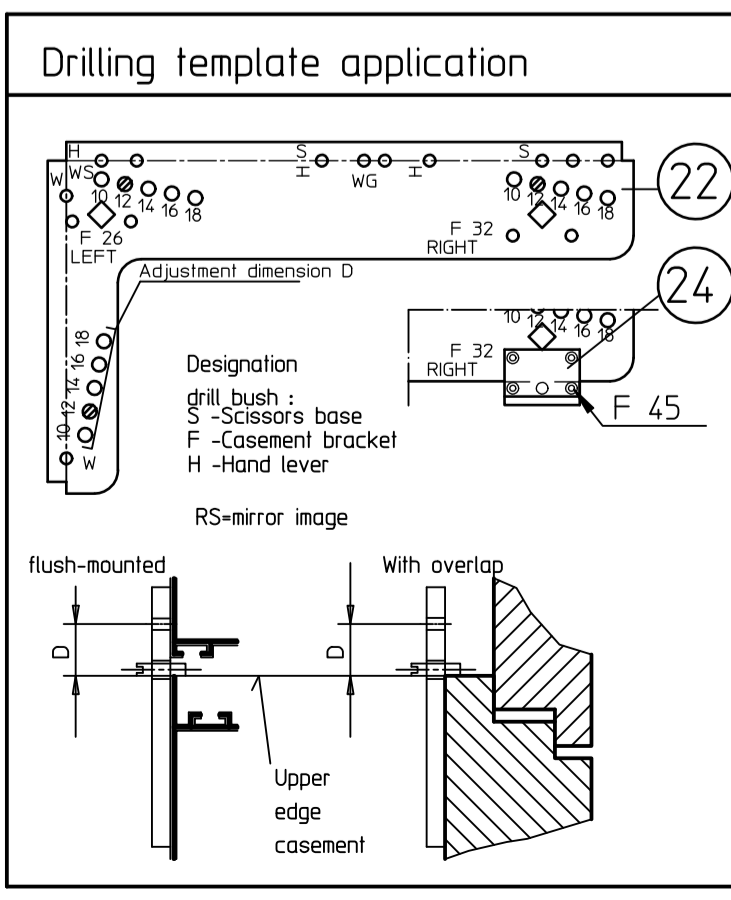
Fixing screws are not included in the delivery.

Further installation drawings for OL 90 N:

- OL 90 N with electric drive E 212 horizontal 40444-EP-003
- OL 90 N with hand lever and bendable corner transmission for pitched windows 40444-EP-006
- OL 90 N with gearbox Fz 91 or Fz 92 for pitched windows 40444-EP-007
- Crank rods and accessories for gear Fz 90-92 40444-EP-011

Pos.	Name	Ident no. for version:					Pc.
		EV1	white RAL9016	dark bronze	black	RAL...	
A	Scissors OL 90 N with sliding casement bracket	30596	30600	30597	74511	30599	7
1	Flat forming scissors OL 90 N						
2	Scissors base						
3	Casement bracket						
4	Rod guide						
5	Screw plate long						
6	Connection						
7	Protective cap						
B	Scissors OL 90 N without casement bracket	71203	71207	71204	99477	71206	4
1	Pos.: 1, 2, 4, 6;						
B1	Sliding casement bracket for wooden windows with Euro-groove	71198	71202	71199	99476	71201	3
1	Content:						
7	Casement bracket for wooden window						
5	Screw plate long						
C	Bendable corner transmission				71354		4
D	Hand lever OL 90 N	26882	26887	26884	79113	26886	4
E	Fz 92 gear unit for horizontal and inclined installation	30778	30778	30777	30777	30778	4
1	Content:						
10	Gear						
11	Grub screw M4x10,8						
12	Double universal joint						
13	Spring pin 4x16						
14	Spring pin 4x20						
15	Holder						
16	Cover						
F	Electric drive E 212 R1 for group control	20835	20839	20836	20838	20838	3
1	Content:						
17	E 212 R1/230V AC						
19	Connecting rod						
G	Electric drive E 212 R for group control	05428	15435	05429	06683	06683	3
1	Content:						
18	E 212 R/230V AC						
19	Connecting rod						
H	Rod coupling OL90 N				43546		
<b>Rods and cover profiles</b>							
	Cover profile L=2m *	30401	30405	30402	74537	70404	
	Cover profile L=3m *	30396	30400	30397	74539	30399	
	Cover profile L=6m	27558	27561	27559	74540		
	Rod Ø8 galvanised L=2m			16555			
	Rod Ø8 galvanised L=3m			16591			
	Rod Ø8 galvanised L=6m			16592			
<b>Accessories</b>							
22	(Must be ordered separately) Drilling template	For wood 54799 yellow		for synthetic/metal 54800 blue			
23	Drilling template for gear Fz 92	13769 yellow		13770 blue			
24	Additional drilling template OL 90 N for wooden windows F=45	28141					
4	Rod guide	10878					
	Stroke limiting device for gear	12335					

\* Cover profile mitre cut on both sides



GEZE GmbH		Benennung / designation	
P.O. Box 19 63		OL 90 N triangular window	
7226 Leontberg		with 2 scissors	
Germany			
vertraulich / confidential			
erstellt / drawn	Datum/Date	Name	Blatt / von sheet / of
03	12.05.20	u/270	2 / 2
Fig. Prod./Rel. Prod	10.08.20	IBT1	Material-Nr. D-No.
Frg. Prod./Rel. Prod		Zeichnungs-Nr. / document-no.	
		40444-EP-012	